

Data Village CCTV Camera H-NSW631-B40H



Focus



Exclusive private model, patented design, dual-light full color, two-way voice, smart humanoid, Metal Housing

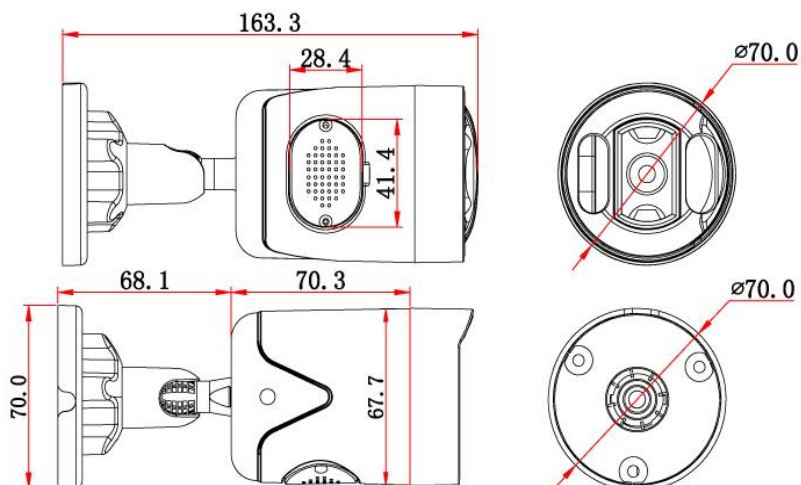
Main function

- *Supporting human detection, face detection, and support to customize other intelligent functions
- *4.0MP HD Black light illumination resolution, clear and fine images;
- *Support 2D/3D noise reduction, digital wide dynamic;
- *Advanced H.265AI/H.265+ (Compatible with H.265/H.264) video compression, Super low rate, high definition quality of image;
- *Professional anti-lightning, conform to GB/T17626.5 and IEC61000-4-5.
- *Support Unifaces third party Support various mobile monitoring(iPhone, Android);
- *Provide web、CMS、 center platform management software MYEYE, provide SDK development
- *Support cloud technology, easy to achieve network penetration, FRO in-line and alarm information pushed

Packing list

Camera Size

1* camera
1*Manual
Screw pack



Data Village CCTV Camera HF-NSW631-B40H

Technical Parameter

Model	HF-NSW631-B40H
System structure	Embedded Rosedale-core 32bit DSP(GK7205V210)
Sensor	4.0M 1/2.8"SC5239S Black light illumination CMOS sensor, color 0.0001Lux@F1.2,black/white 0.0001Lux@F1.2
Video compression	H.265 +(Compatible with H.265/H.264) support dual stream,AVI;0.1M~8Mbps variable;1~30f/s variable
Image output	Main stream:4M 2560*1440@18fps; 2304*1296@20fps, 1920*1080@25fps; sub-stream: 800*448@25fps
Shutter	1/50(1/60)s to 1/10,000s
Day and night	Support IR-CUT,IR-CUT coil has an internal resistance of 20 ohms, the power-on time is less than 200ma, and the voltage is 3.5V-6V
Noise reduction	Support 2D/3D
Wide dynamic	Support digital
Audio compression	G.711,support bidirectional talk, audio & video synchronization
Audio interface	1ch input,level:2Vp-p,impedance:1kΩ,support sound pick-up input;1ch output,impedance:16Ω,30mw,support microphone
Network interface	1*RJ45 10/100M adaptive Ethernet port; support RTSP/FTP/DHCP/NTP/UPnP etc.
Singal interface	One photo resistance interface, one IR-CUT interface ,support photo resistance signal and IR-CUT links to IR
Lens	3.2/6/8MM (option)(F1.6)
IR	2 infrared lights + 2 warm lights

Infrared distance	10-50M
POE	Support
Reliability	Comprehensive lightning protection, 7 * 24 hours -10℃~65℃high temperature stable and reliable testing
Intelligence analysis	Supporting human detection, face detection, and support to customize other intelligent functions
Other function	Support WEB, OSD, live video transmission, motion detect and IO alarm, front-end storage/playback/download, and center reminder and image linkage, support JPEG capture united remote client monitoring software, MYEYE; perfect SDK;
ONVIF	Support
Mobile monitoring	Support multiple mobile monitoring (iOS, Android)
Power	DC12V/2A input, power consumption:≤3W,
APP	Xmeye
Working temperature	(-30℃~+60℃)
Working humidity	≤80%
Waterproof level	IP66
Product Size	163.3*70*70MM
Package Dimensions	195*100*75MM
product weight	600克
Other	Private model, patented design

